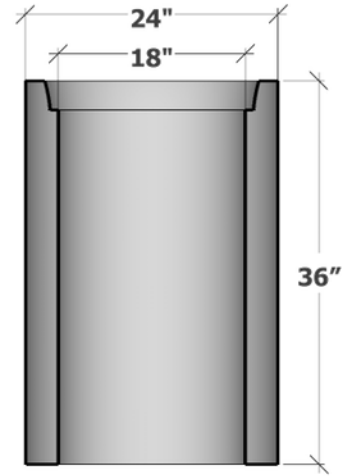
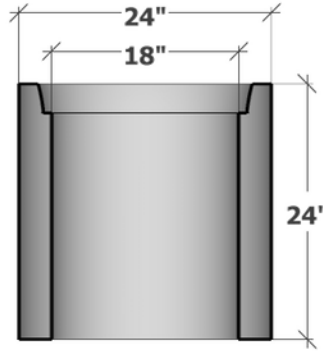
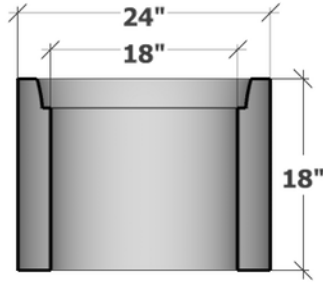
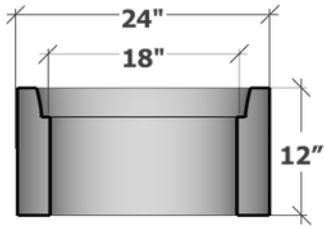
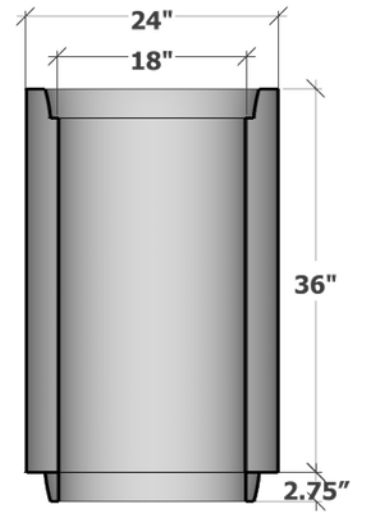
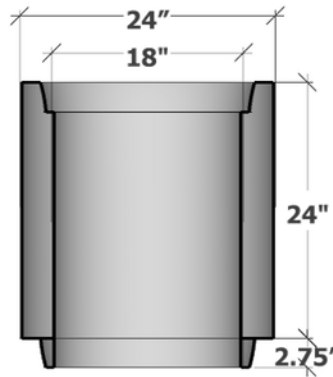
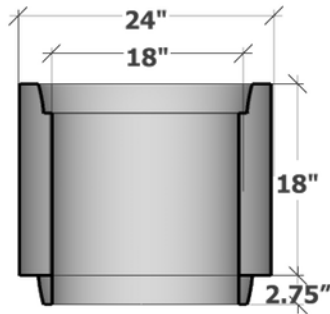
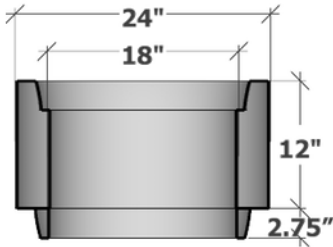


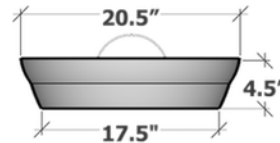
Female-Flat Pipes



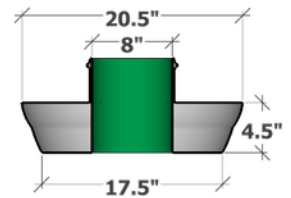
Female-Male Pipes



18" Plug



18" Plug w/ 8" Coupling



NOTES

- Pipes Reinforced with 8x8 10x10 Mesh

TITLE

18" Diameter Concrete Pipes

DATE **11/21/17**

REVISION **1.0**

THE FAGENSTROM CO.

2101 NORTHWEST BYPASS

P.O. Box 2623

GREAT FALLS, MT 59403

WWW.FAGENSTROM.CO

406-761-5200

