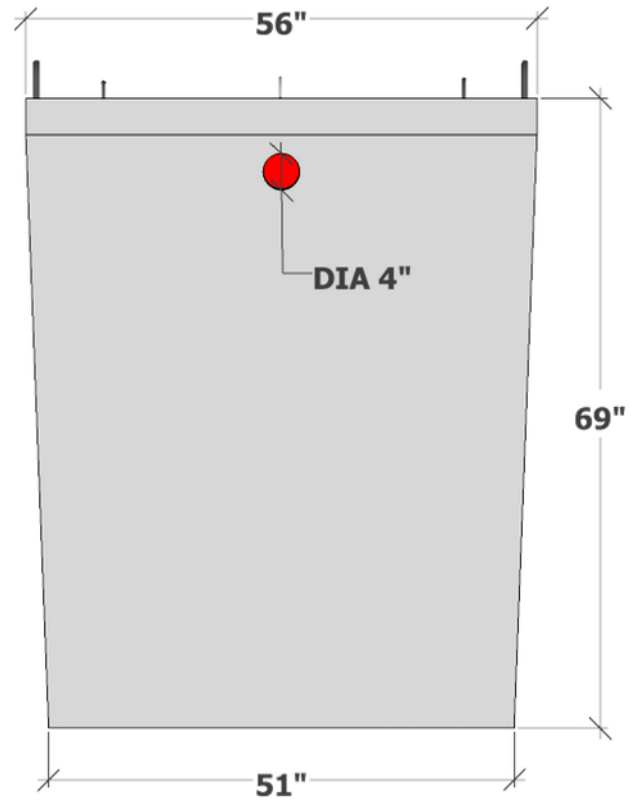
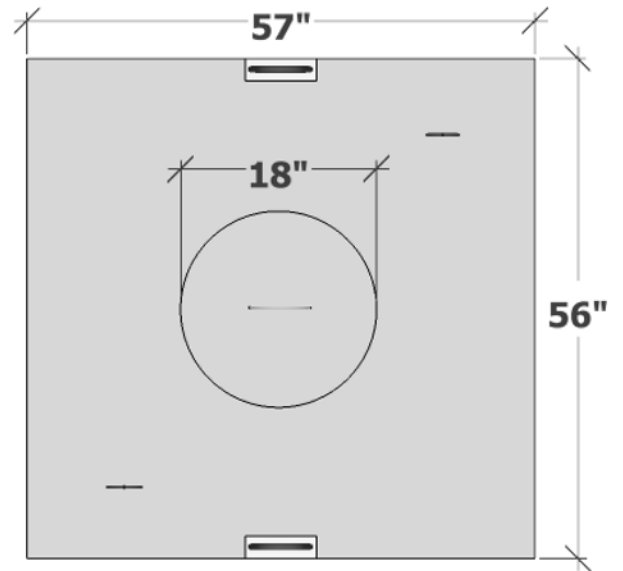


Side (Cut Away View)



Inlet End



Top

NOTES

The inlet and outlet seals are Polylok Poly II High Pressure Pipe Seals.

Concrete Inlet Riser Sold Separately.

Tank walls are 3" thick and the floor is 4" thick.

Total Weight: 5,500 LBS

TITLE

500 Gallon Pump Chamber

DATE **08/23/17**

REVISION **2.2**

THE FAGENSTROM CO.

2101 NORTHWEST BYPASS

P.O. Box 2623

GREAT FALLS, MT 59403

WWW.FAGENSTROM.CO

406-761-5200

